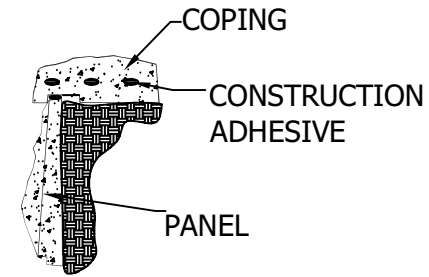
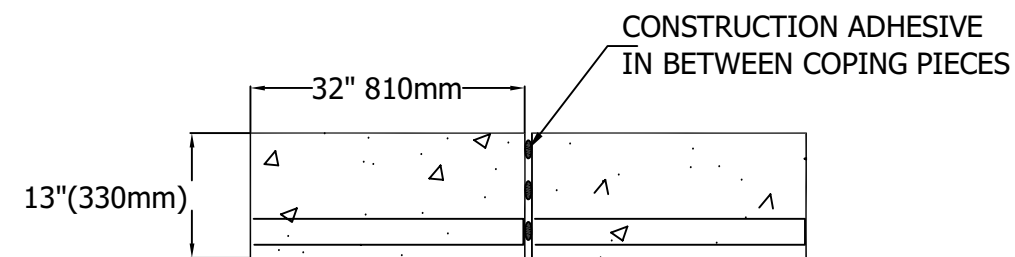


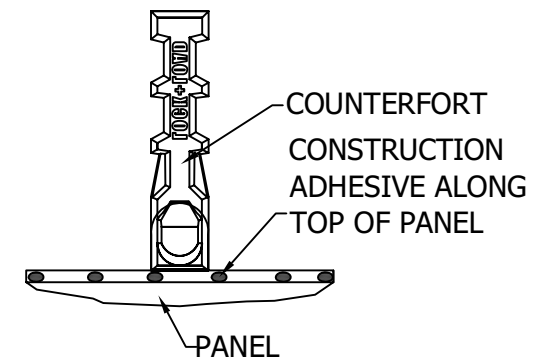
SIDE VIEW



ASSEMBLY SECTION



TOP VIEW



TOP VIEW OF PANEL

TOP TRIM DETAILS

- NOTE:**
- 1) MINIMUM CONCRETE COMPRESSIVE STRENGTH 5500psi AT 28 DAYS
 - 2) 6% AIR ENTRAINMENT
 - 3) 3 LBS STRUCTURAL FIBER PER CUBIC YARD

REV #	DESCRIPTION	DATE

LOCK+LOAD™
RETAINING WALL SYSTEMS
 1681 CHESTNUT STREET, SUITE 400, VANCOUVER, B.C. V6J 4M6
 Tel: (604) 732-9990 Toll Free: 1-877-501-9998 Fax: (604) 737-1140
 Web site: www.lock-load.com

DRAWING NAME: TOP TRIM	
PROJECT NAME: _____	
LOCATION: _____	
CITY: _____	COUNTRY: _____
DRAWN BY: _____	DATE: 01/06/12
APPROVED BY: _____	PREPARED FOR: _____
SCALE: N.T.S.	FOR: _____
OUR PROJECT NUMBER: _____	OUR DRAWING NUMBER: _____
CUSTOMER DRAWING	TOP TRIM (OPTIONAL)